

eSchwank
Efficient Electric Infrared Heaters
Industry | Commercial | Logistics

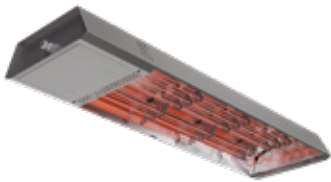


About Schwank

As a multinational family business, Schwank offers customised complete solutions for commercial and industrial HVAC systems. For almost 90 years we have been a renowned leader of infrared heating solutions.



Our Electric Infrared Product Range



eSchwank S-4500
eSchwank S-6000
eSchwank S-9000
eSchwank S-12000
eSchwank S-18000

4.5 - 18 Kilowatt



eSchwank H-3000

3 Kilowatt



eSchwank D-2200
eSchwank D-4500

2.2 - 4.5 Kilowatt

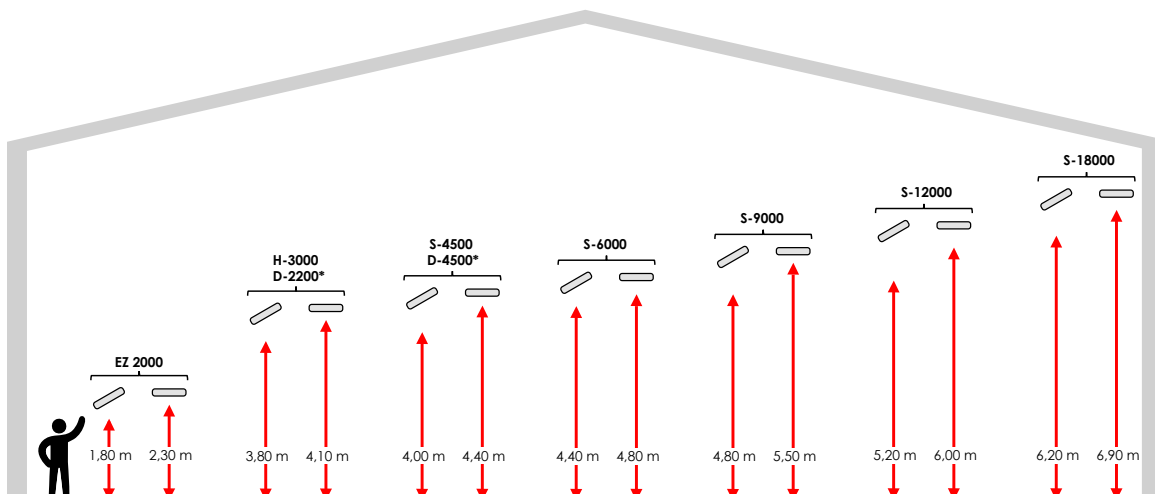


eSchwank EZ-2000

2 Kilowatt

Guide to Minimum Installation Height

Angled & Horizontal Installation



* Heaters may not be mounted in any other angle than horizontally

Electric Infrared Heaters for Industry and Commerce

Electric infrared heaters are a compelling and proven solution for industrial and commercial heating applications. Schwank has decades of experiences with infrared heaters from our founder's invention of the worldwide's first gas infrared heater in 1939.

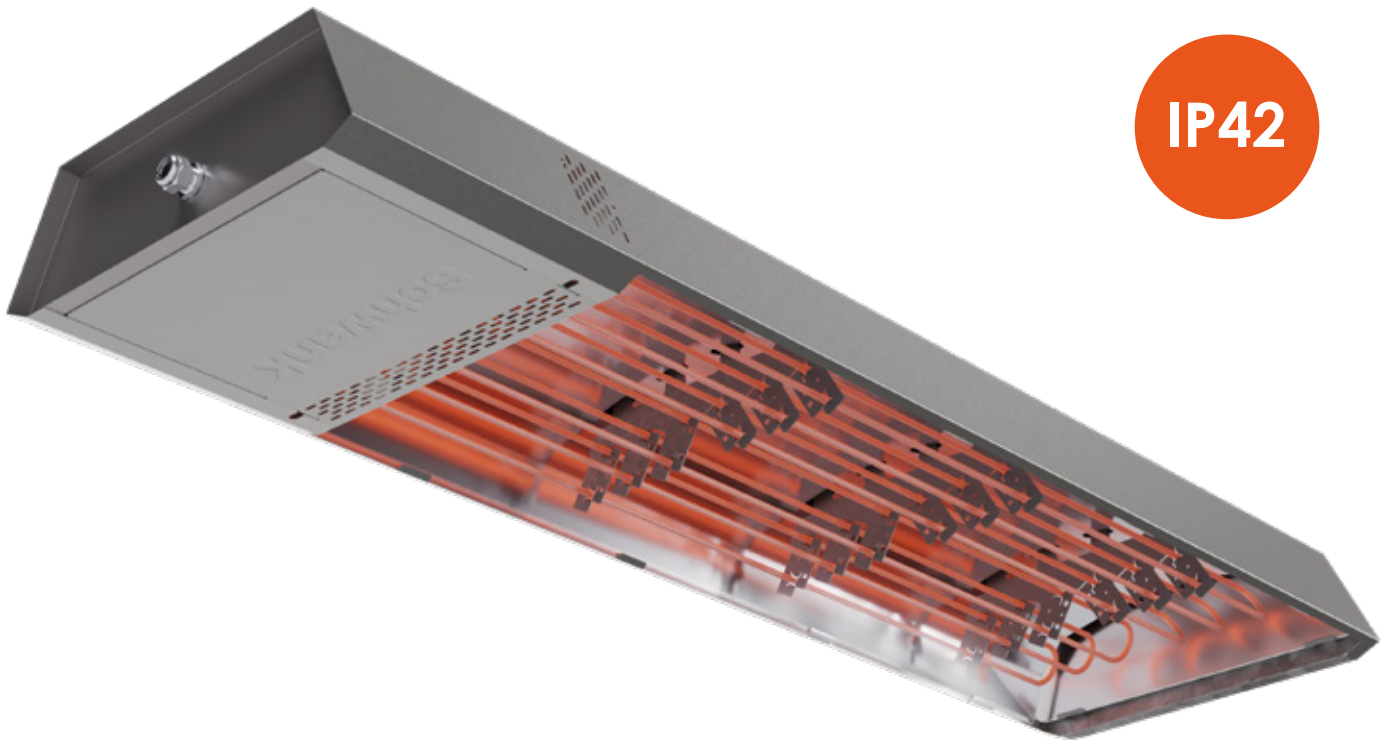


Here are six reasons why electric radiant heaters are compelling:

- 1 Targeted heat:** Radiant heaters do not heat the entire air volume, but rather heat objects and people directly. This improves efficiency since less energy is required for the heating up period.
- 2 Quick heating:** Electric radiant heaters provide prompt heat as they do not require any time to warm up the air. This is particularly useful in buildings where fast heating is required.
- 3 No air movement:** In contrast to forced air convection (e.g., warm air heaters), radiant heaters do not cause air movement raising dust or particles.
- 4 Zonal heating control:** Radiant heaters can be installed in different zones offering the possibility to heat individual areas separately, and on demand.
- 5 Minimal heat loss:** As heat hits the surfaces directly, the heat loss through walls or ceilings is significantly less than with traditional heating systems.
- 6 Low maintenance:** Schwank electric radiant heaters have no moving parts. Heating elements can be easily exchanged if required.

eSchwank

S-Series 4500, 6000, 9000, 12000, 18000

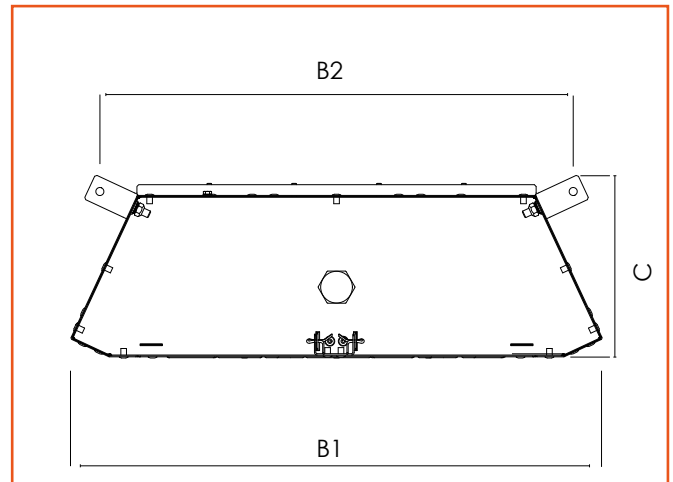
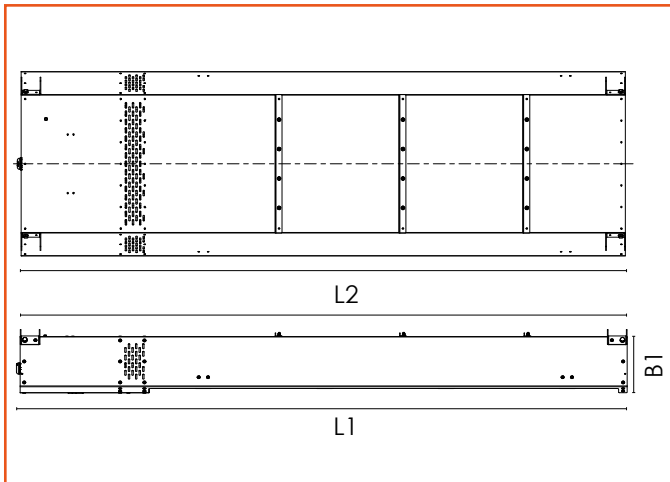


IP42

→ Product features:

- Reflector geometry made of highly reflective aluminium for optimum heat distribution.
- Service-friendly design, heating elements can be replaced in just a few minutes.
- Unique infraGlow heating elements for a long service life.
- Variable installation angle of up to 45 degrees
- Optional protective grille available (e.g. sports facilities).

Dimensions S-Series

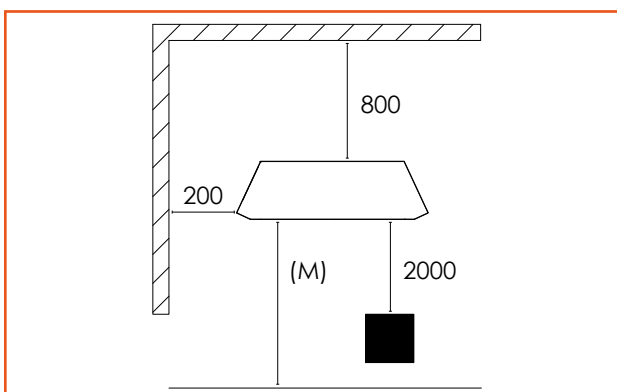


Dimensions	S-4500	S-6000	S-9000	S-12000	S-18000
L1 (mm)	1283	1523	1963	1523	1963
L2 (mm)	1271	1511	1951	1511	1951
B1 (mm)	395	395	395	595	595
B2 (mm)	330	330	330	530	530
C (mm)	204	204	204	204	204

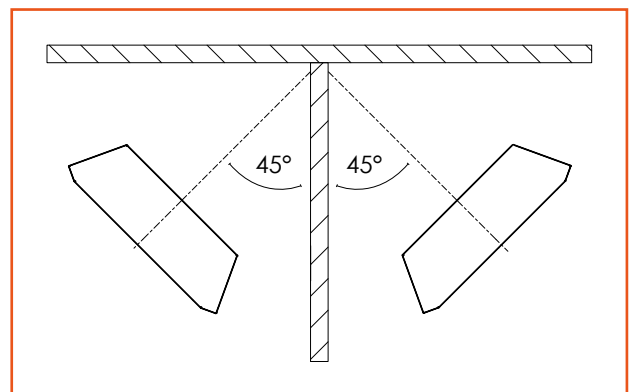
Technical Data

	S-4500	S-6000	S-9000	S-12000	S-18000
Length (mm)	1283	1523	1963	1523	1963
Height (mm)	204	204	204	204	204
Width (mm)	395	395	395	595	595
Weight (kg)	16	18	22	28	32
Nominal output (W)	1500 / 3000 / 4500	2000 / 4000 / 6000	3000 / 6000 / 9000	4000 / 8000 / 12000	6000 / 12000 / 18000
Protection class	IP42				
Electrical Connection	400 V / Hz 50 ~				
Current (A)	6.3	8.0	13.0	17.0	25.0
Minimum suspension height, vertical (mm) (M)	4400	4800	5500	6000	6900
Minimum suspension height, angled (mm)	4000	4400	4800	5200	6200

Minimum distances



Max. inclination angle



eSchwank

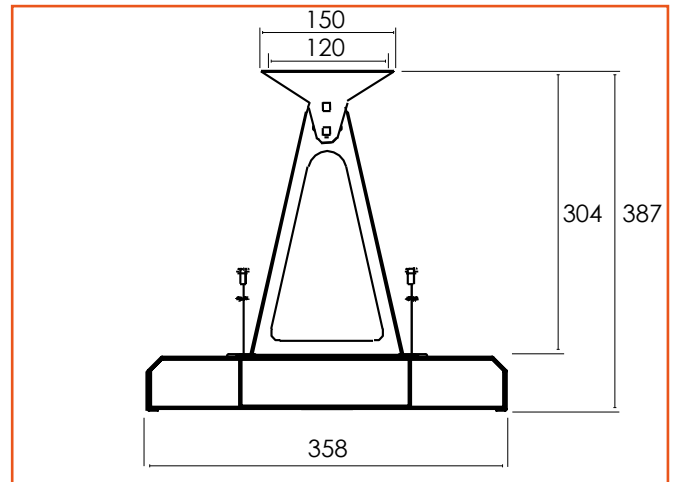
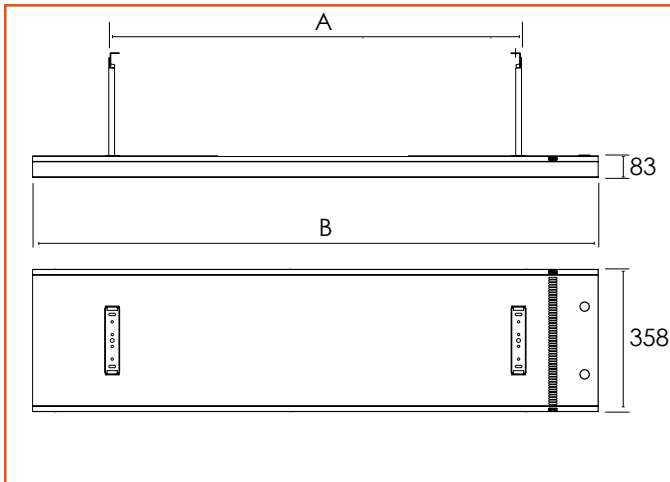
H-Series 3000



→ Product features:

- Reflectors made of shiny, anodised aluminium for optimised heat distribution.
- Adjustment of five different mounting brackets. (between 0 - 30 degrees)
- Corrosion resistant housing made of grey, aluzinc-coated steel panels.
- Optional protective grille available (e.g. sports facilities).

Dimensions H-Series

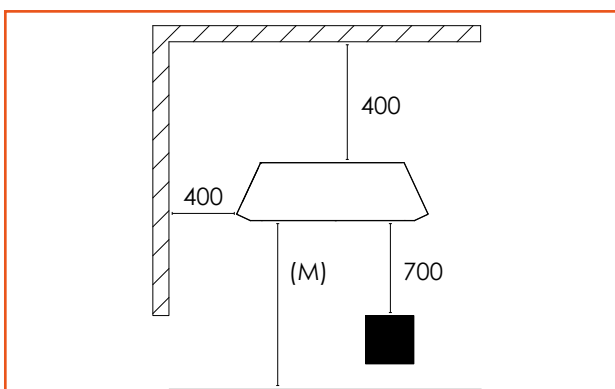


Dimensions	H-3000
A (mm)	600
B (mm)	1125

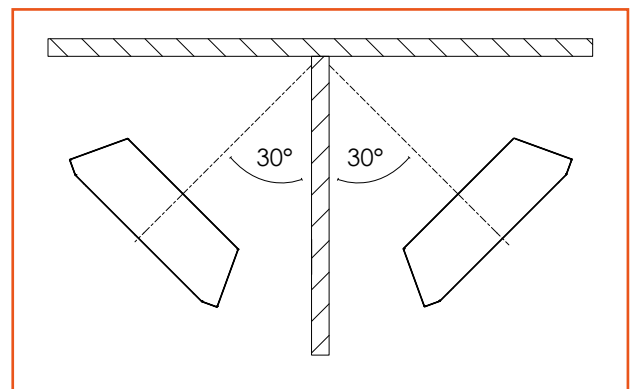
Technical Data

	H-3000
Length (mm)	1125
Height (mm)	83
Width (mm)	358
Weight (kg)	9,0
Nominal output (W)	1000 / 2000 / 3000
Protection class	IP44
Electrical Connection	400 V / Hz 50 ~
Current (A)	4,3
Minimum suspension height, vertical (mm) (M)	4100
Minimum suspension height, angled (mm)	3800

Minimum distances

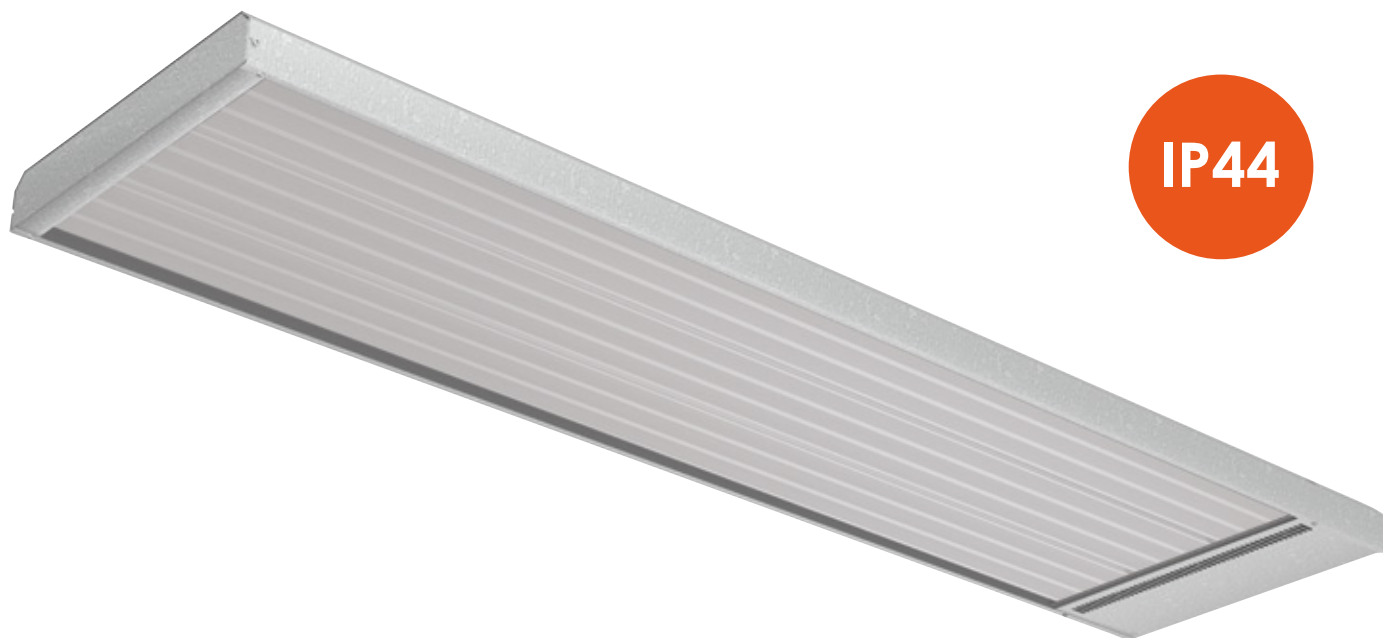


Max. inclination angle



eSchwank

D-Series 2200, 4500

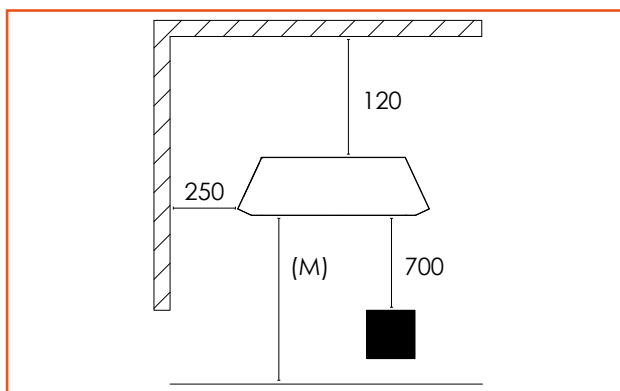


IP44

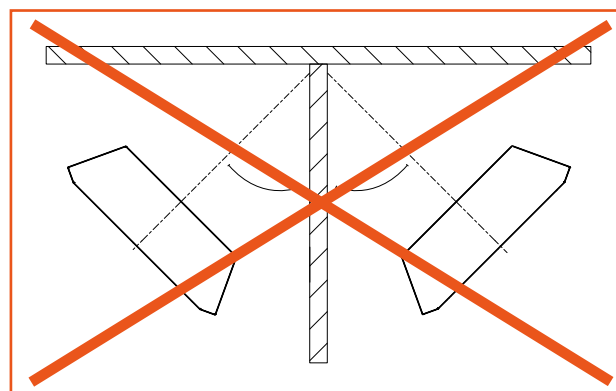
→ Product features:

- Corrosion resistant housing made of grey, aluzinc-coated steel panels. Heating panels made of naturally anodized aluminium.

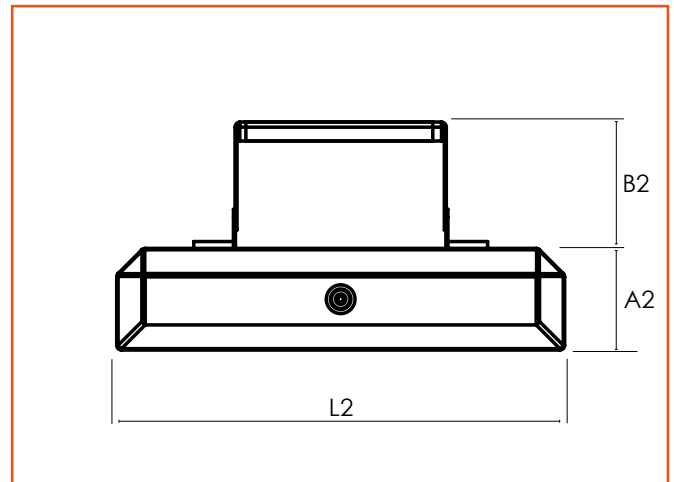
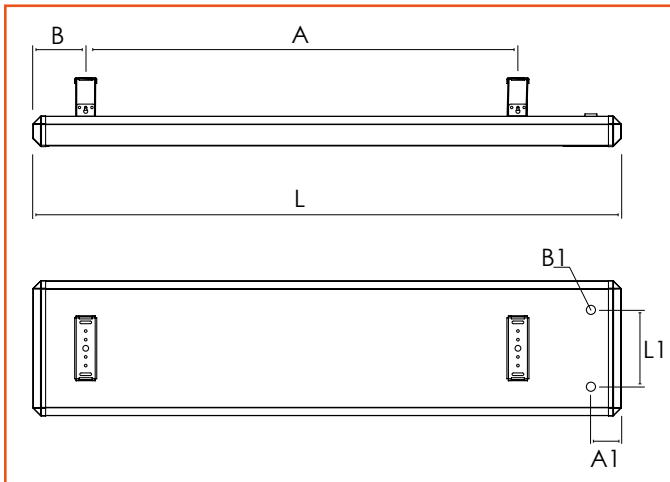
Minimum distances



Max. inclination angle



Dimensions D-Series



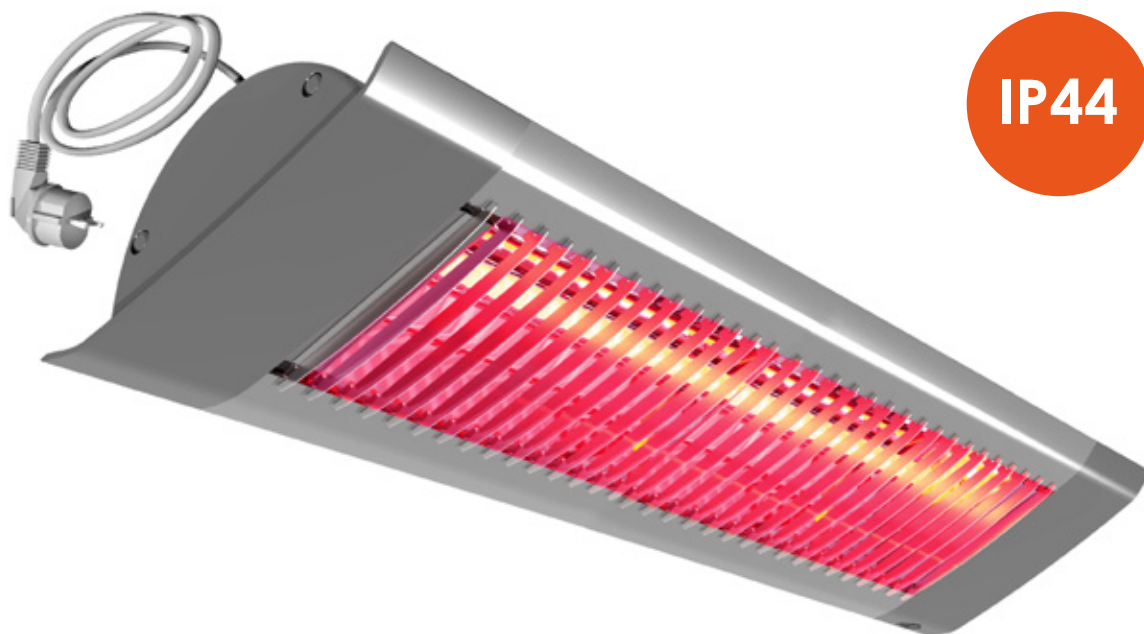
Dimensions	D-2200	D-4500
L (mm)	1520	2030
A (mm)	1200	1500
B1 (mm)	∅ 20,5 (2x)	∅ 32,5 (2x)
L2 (mm)	282	420
A2 (mm)	64	63
B2 (mm)	82	120

Technical Data

	D-2200	D-4500
Length (mm)	1520	2030
Height (mm)	64	63
Width (mm)	282	420
Weight (kg)	10,7	24,2
Nominal output (W)	2200	4500
Protection class	IP44	IP44
Electrical Connection	230 V / Hz 50 ~	400 V / Hz 50 ~
Current (A)	9,6	11,3 / 6,5
Minimum suspension height, vertical (mm)	4100	4400
Minimum suspension height, angled (mm)	prohibited	

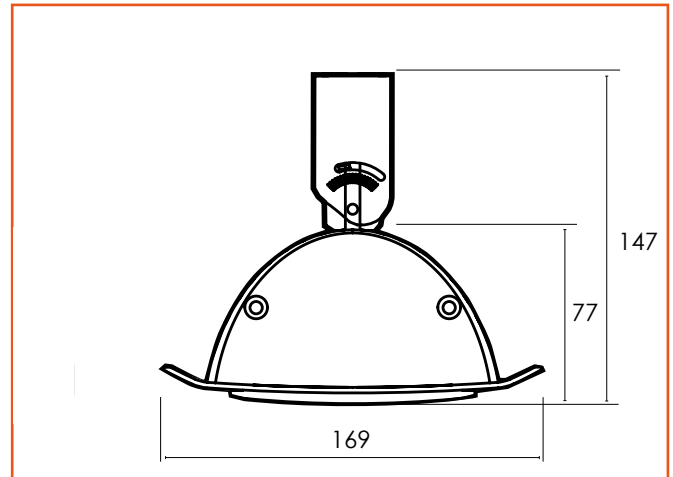
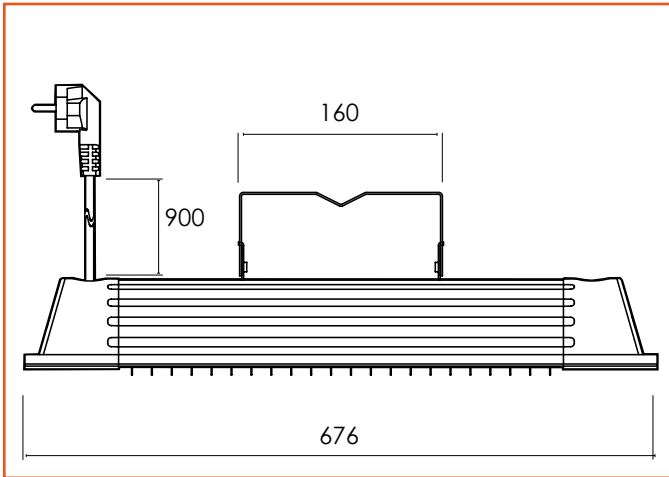
eSchwank

EZ-2000



→ Product features:

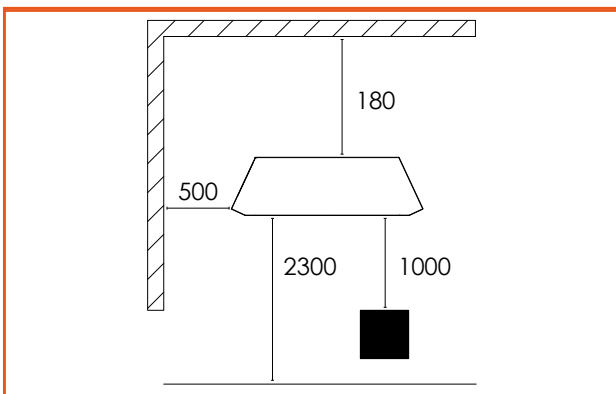
- EZ-2000 consists of a powerful halogen lamp and a high-gloss reflector ensuring optimum heat distribution.
- 900 mm long connecting cable with Schuko plug
- Housing made from anodized aluminium, grille from nickel/chrome and side parts of powder-coated light metal.
- Plug and play: simple installation and power supply



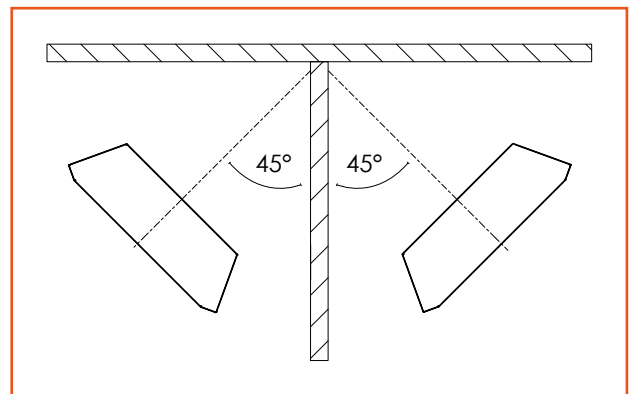
Technical Data

EZ-2000	
Length (mm)	676
Height (mm)	77
Width (mm)	169
Weight (kg)	2,5
Nominal output (W)	2000
Protection class	IP 44
Electrical Connection	230 V / Hz 50 ~
Current (A)	8,7
Minimum suspension height, vertical (mm)	2300
Minimum suspension height, angled (mm)	1800

Minimum distances



Max. inclination angle



Schwank Companies Worldwide



ver. 005 - 12/25

Germany - Headquarters

Schwank GmbH
Bremerhavener Str. 43
50735 Köln
Tel.: +49-221-7176 0
info@schwank.de
www.schwank.de

Austria

Schwank Ges.m.b.H.
Hetmanekgasse 1b/3
1230 Wien
Tel.: +43-1-609 1320
office@schwank.at
www.schwank.at

Benelux

Schwank BV
Vaart 7A
4206 CC Gorinchem
Tel.: +31-183 766050
schwank@schwank.nl
www.schwank.nl

China

**Schwank HVAC Technology
(Tianjin) Ltd. Co.**
7a Jimei Industrial Park
Devel. Area ■ 300385 Tianjin
Tel.: +86-22-87975319
info@schwank.cn
www.schwank.cn

Canada

Schwank Ltd.
6485 Ordan Drive ■ Mississauga,
Ontario, ON L5T 1X2
Tel.: +1-877-446 3727
csr@schwankgroup.com
www.schwankgroup.com

Czech Republic

Schwank CZ, s.r.o.
Nám. Republiky 1
614 00 Brno
Tel.: +420-545-211 530
info@schwank.cz
www.schwank.cz

Poland

Schwank Polska Sp. z.o.o.
ul. Krańcowa 65
62-081 Przeźmierowo
Tel.: +48-32-201 05 58
info@schwank.pl
www.schwank.pl

Romania

Schwank SRL
bd. 9 Mai nr. 21 bl. B11/43-44
610127 Piatra Neamt
Tel.: +40-233-22 69 66
schwank@schwank.ro
www.schwank.ro

Slovak Republic

Schwank s.r.o.
Vajnorská 100/B
831 04 Bratislava
Tel.: +421-94-895 9535
info@schwank.sk
www.schwank.sk

United Kingdom

Schwank Ltd.
Unit D2, Armthorpe Enterprise Park
Durham Lane ■ Doncaster DN3 3DY
Tel.: +44-20-86413900
sales@schwank.co.uk
www.schwank.co.uk

USA

Schwank USA, Inc.
2 Schwank Way
Waynesboro, GA 30830
Tel.: +1-877-446 3727
csr@schwankgroup.com
www.schwankgroup.com